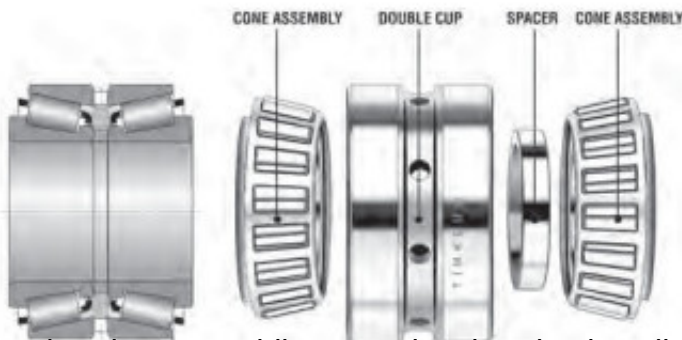


What components does TIMKEN sleeve bearings have?



Spacer bearing assemblies speed up bearing installation time because there is no need for bearing adjustment.

Spacer bearing assemblies agree with for use with two-row and four-row Timken® tapered roller bearings to preset the bench lateral (bench end play). Most matched bearing assemblies have unique numbers to ensure correct installation sequence.

Timken spacer bearings are precisely ground to provide the exact bench lateral required for trying bearing application.

Since each spacer is custom-fitted to a particular set of components, a spacer can not be used with any other bearing components-- wherever they carry the same part numbers.

When ordering replacement bearing assemblies, specify:

- cone number
- assembly number.

If you do not have the assembly number, specify the part numbers including:

- cone number
- cup number
- spacer number
- bench end play, which is etched on the spacer.

If you do not have any part numbers for the spacer assembly, specify:

- Name of equipment
- Model number
- Year.
- Application position of the bearing.

Tapered Double Outer (TDO).

This diagram depicts the way spacers are used between the cone front faces in the TDO bearing. The spacer fits between the 2 single cones.

Tapered Double Outer (TDO).

This diagram depicts the way spacers are used between the cone front faces in the TDO bearing. The spacer fits between a couple of single cones.

